

AMENDMENTS TO THE DRAWINGS

The attached five sheets (Figs. 1-6B) of drawings include proposed changes shown in red. Please enter these drawings into the official record of this application.

Attachment: Replacement sheets 1-5



*Drawing changes
approved by
Examiner
m3
10/15/03*

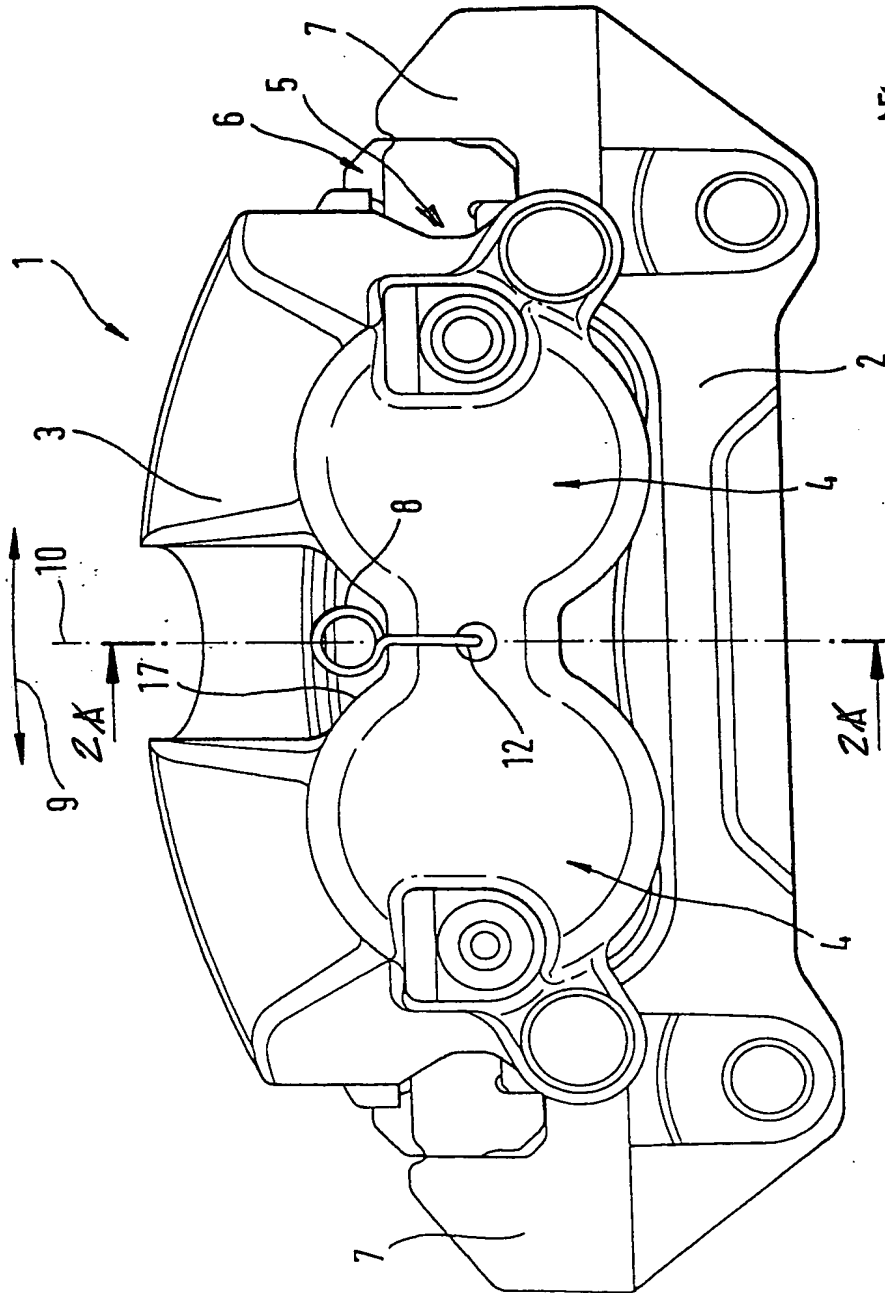


FIG. 2

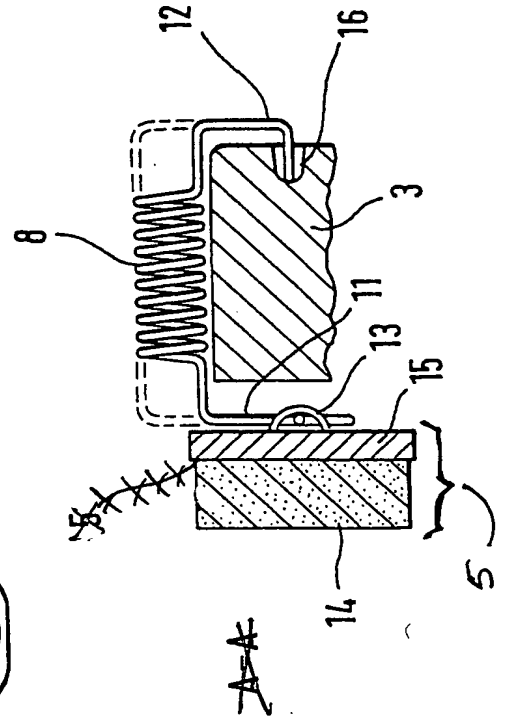
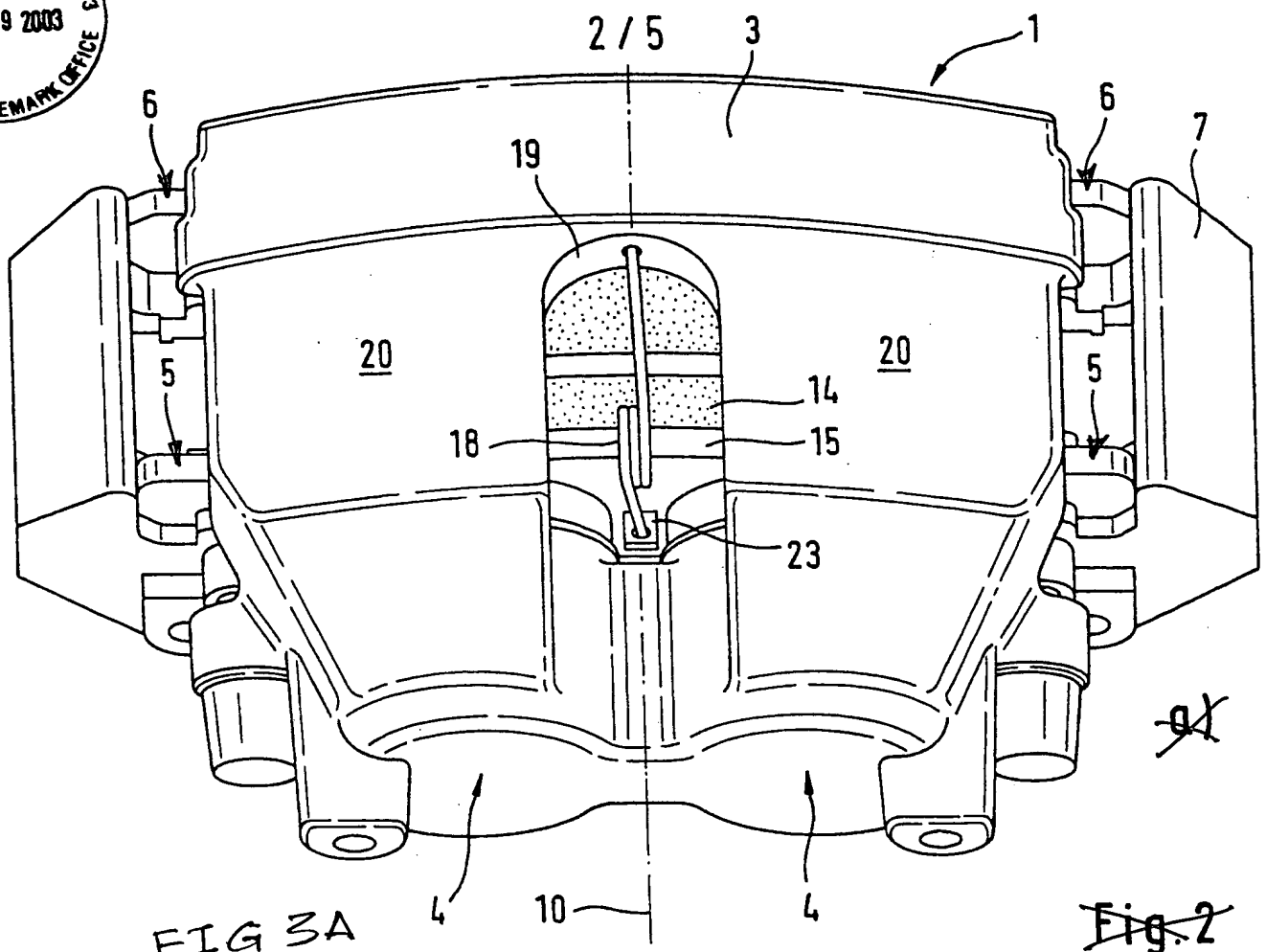
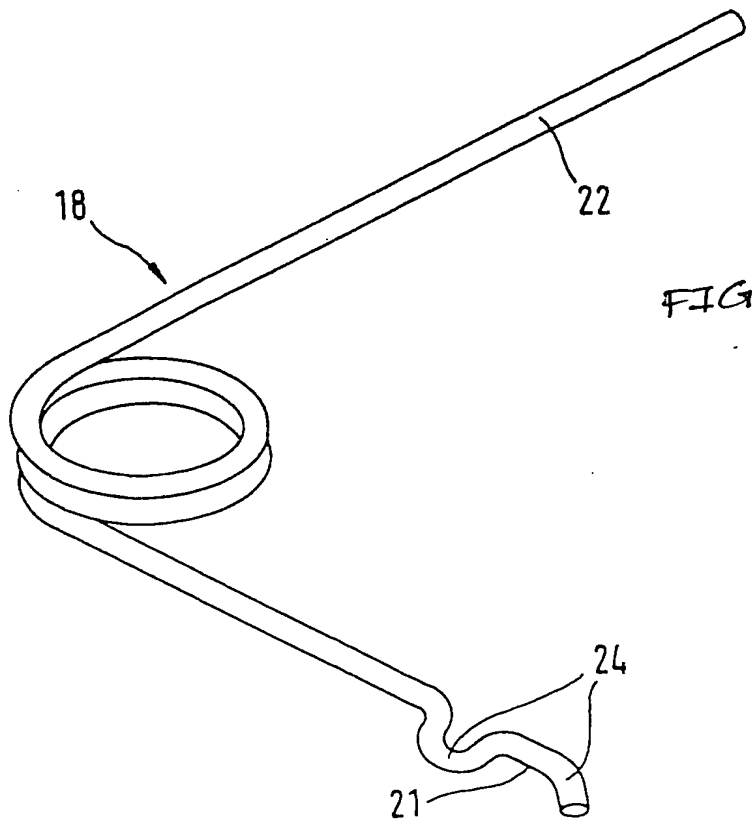


Fig. 1

O I P E J C 1 7 3
SEP 2 9 2003
PATENT & TRADEMARK OFFICE



~~Fig. 2~~



~~DK~~



3 / 5

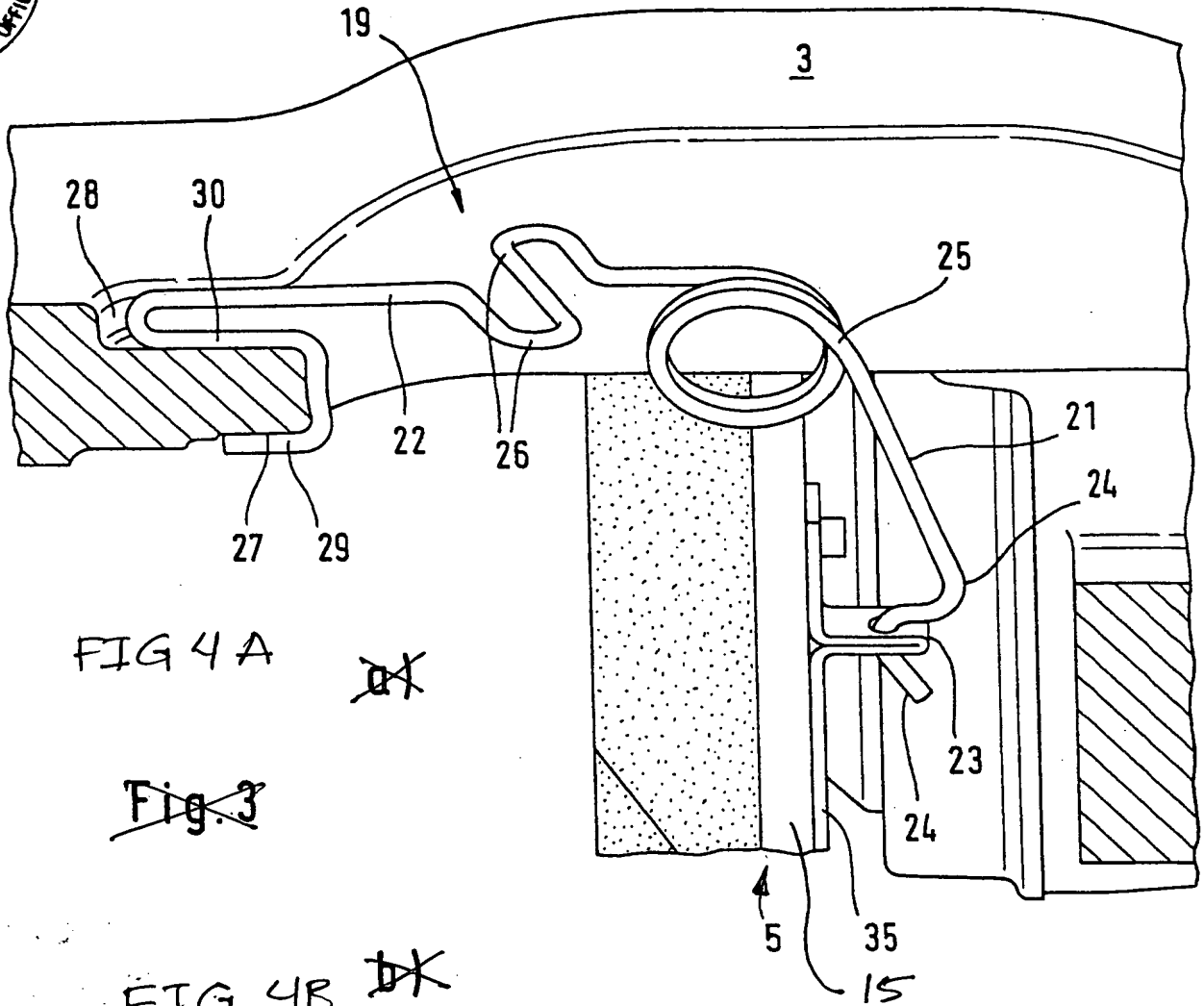
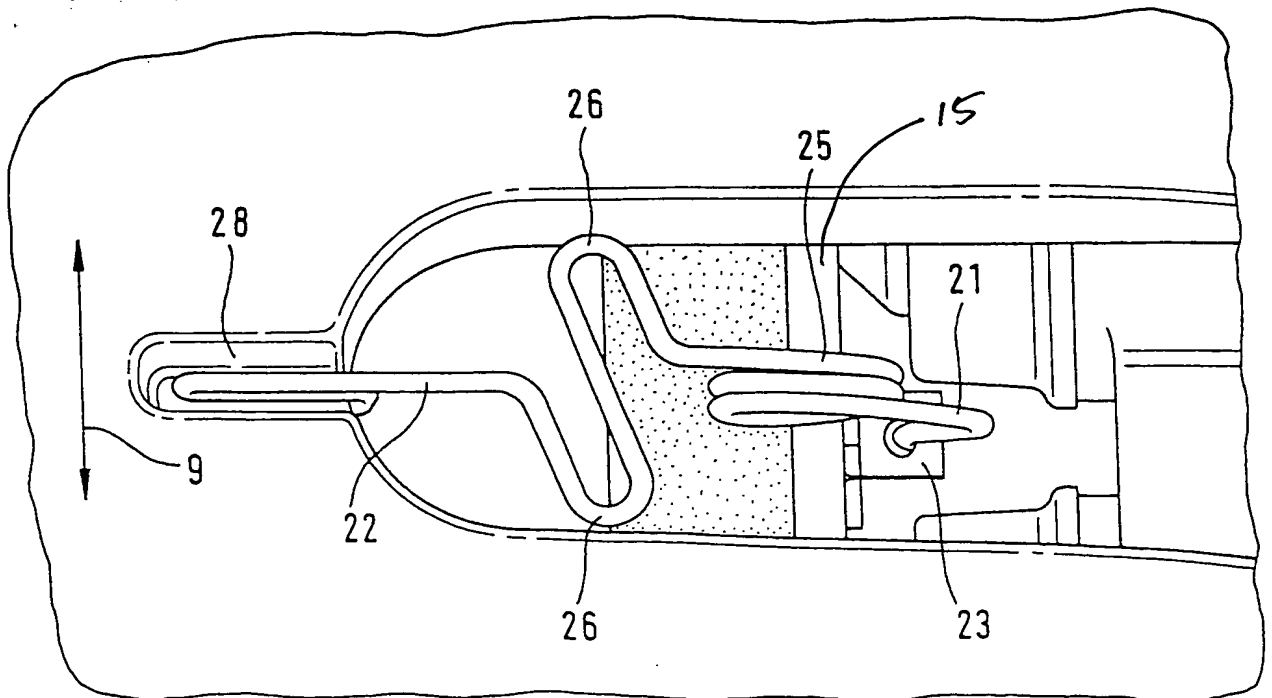
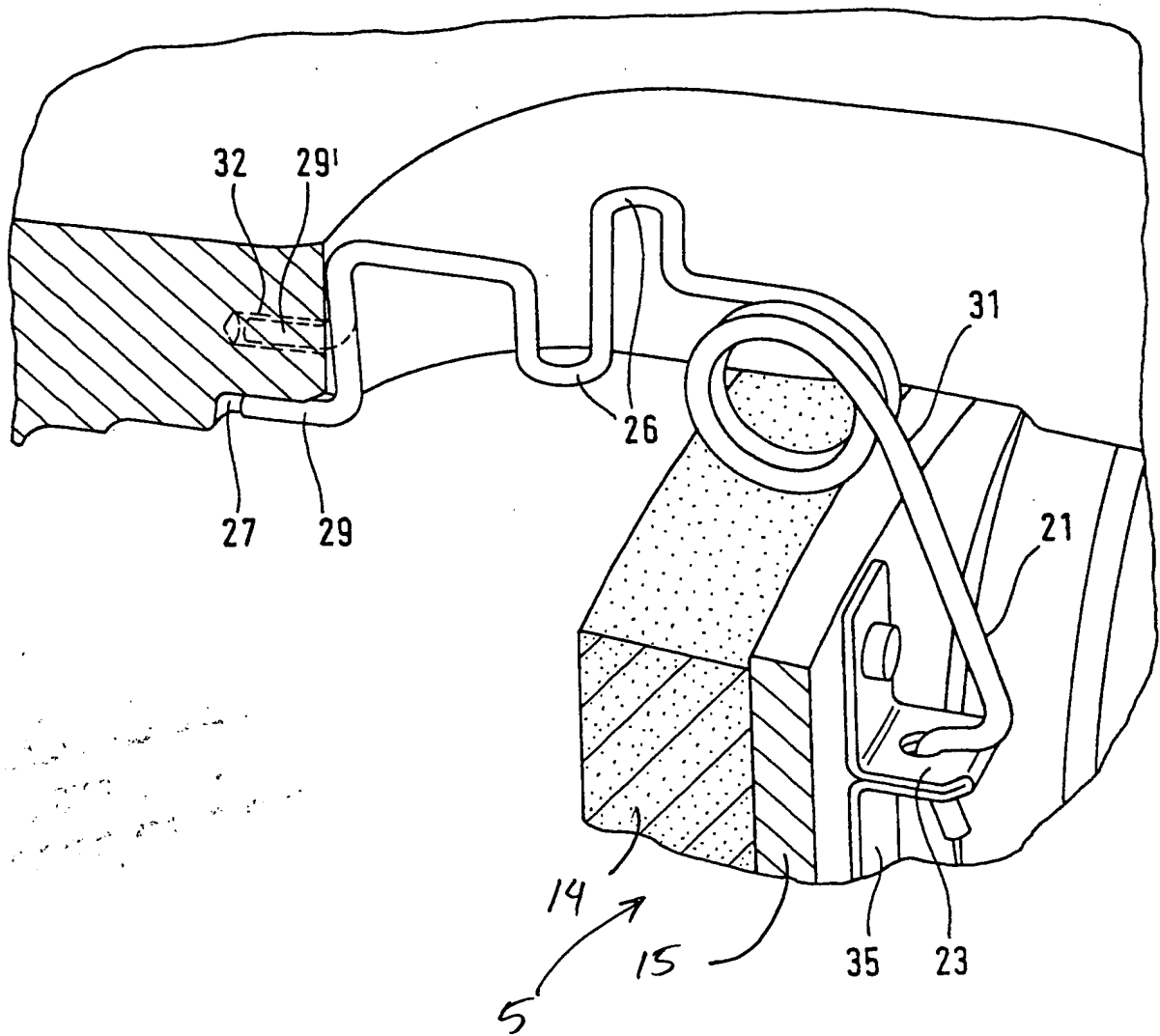


FIG 4A

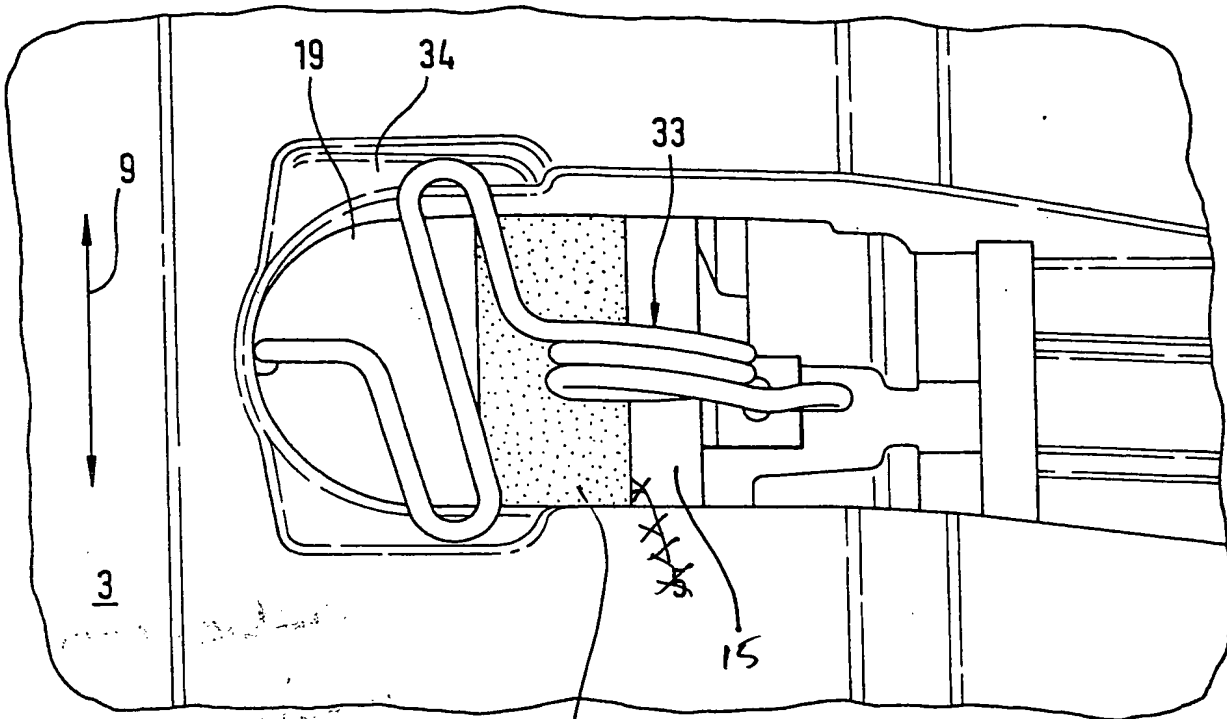
~~Fig. 3~~

FIG 4B ~~X~~





~~Fig. 4~~ FIG. 5



~~FIG. 6A~~

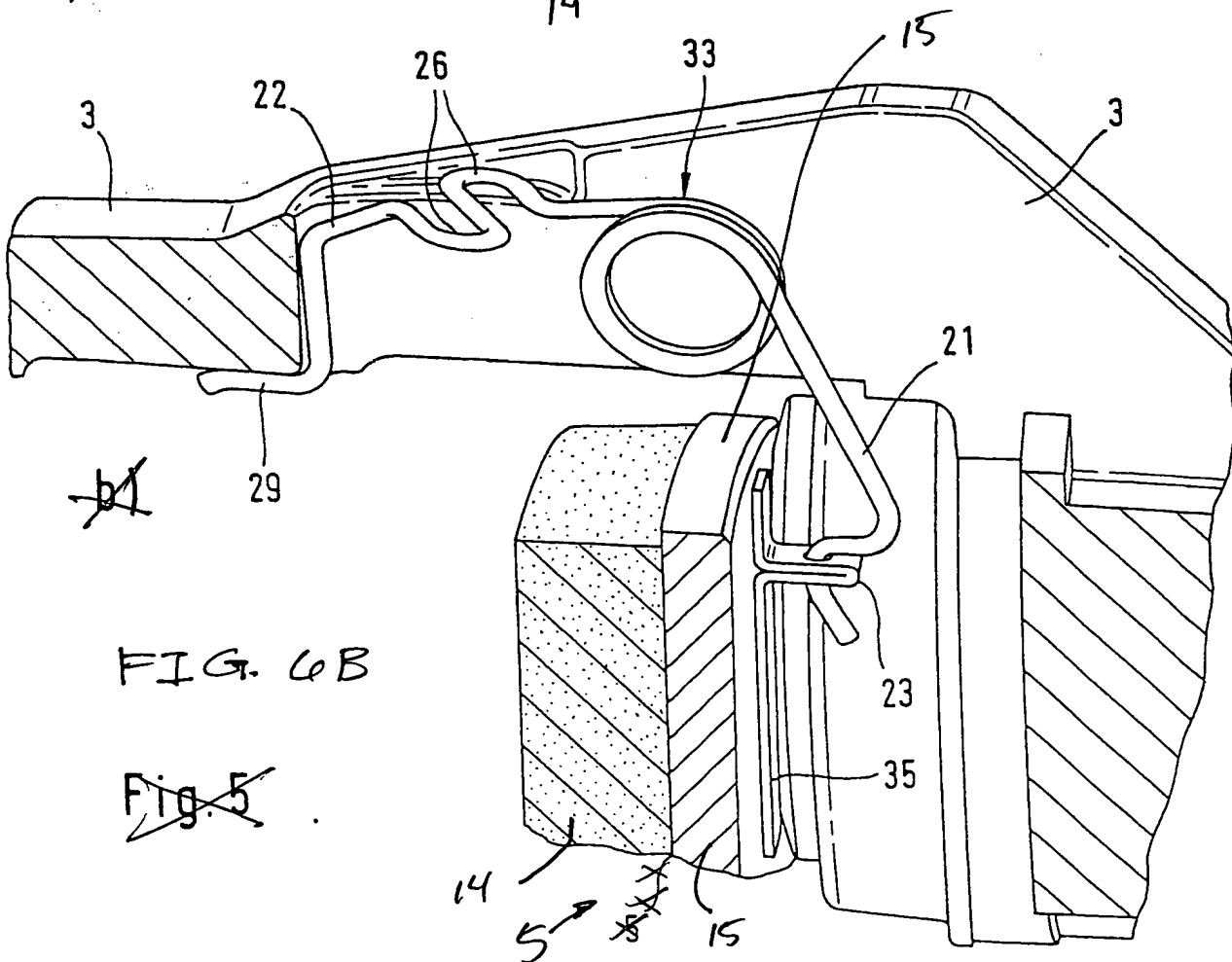


FIG. 6B

~~Fig. 5~~